
















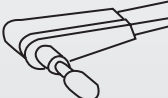

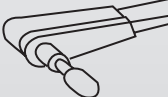

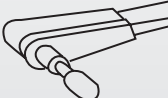

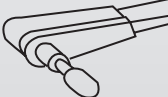





ADAPTERS

Wide range of adapters to cover most of European, Japanese and American vehicles.

PART NO. ADAPTER	FITTED WIPER ARM(mm)
H1 	6/8 
H2 	9 x 3 
3/16" Side pin 	
B2 	B1A 
	7mm Bayonet (suitable for 10 series wiper blades) 
B3 	B3A 
	9 mm Bayonet 
B6 	
	7mm Bayonet
B7 	
	5mm Bayonet

PART NO. ADAPTER	FITTED WIPER ARM(mm)
G 	Clamp for fastening the spray nozzles (suitable for 10 series wiper blades) 
G2 	Clamp for fastening the spray nozzles (suitable for 52 & 54 series wiper blades) 
M1 	3/16" & 1/4" (For 10 series only) 
M2 	3/16" & 1/4" (For 12,33,52 series) 
H8 	7 x 2.5 
	9 x 3 9 x 4 
	H10 