

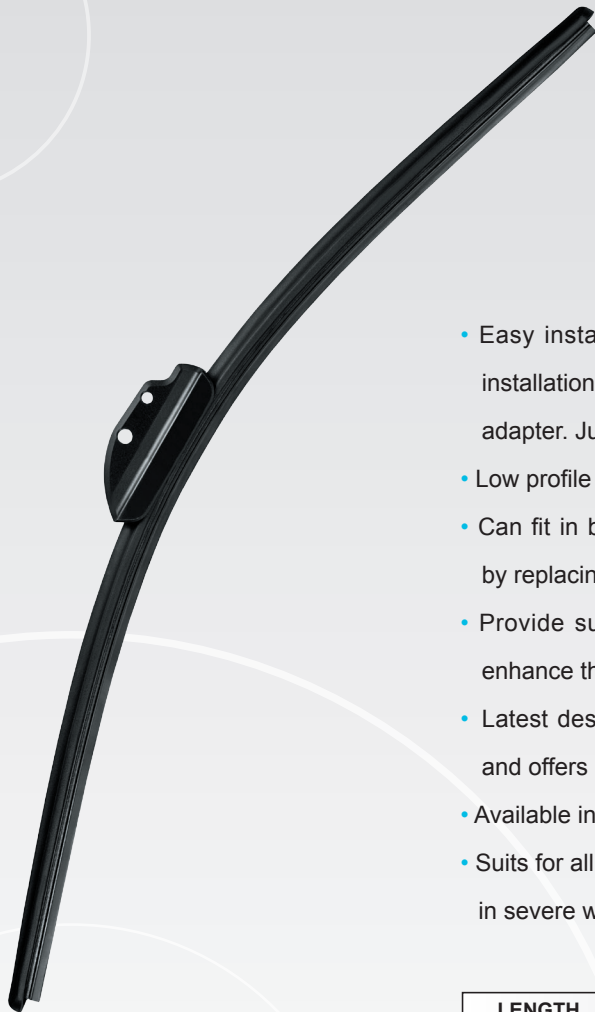
# FLAT BLADE FAMILY

# 8W

## SERIES

BEAM BLADES  
(FLAT BLADES)


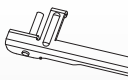


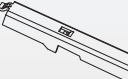

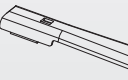

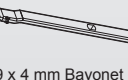

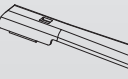


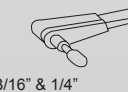
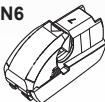

www.unipoint.com.tw



- Easy installation by end users. No complicated installation procedure by using a “Multi-functional” adapter. Just “Click in” and done
- Low profile flat blade with high wind-lift resistance
- Can fit in both OE and Conventional applications by replacing fewer adapters
- Provide superior pressure distribution and thus enhance the wiping performance
- Latest design increases the stability of flat blade and offers highly competitive pricing
- Available in 13 sizes, ranging from 14" to 28"
- Suits for all seasons and exceptional performance in severe weather conditions

LENGTH	LENGTH	LENGTH
14" / 350 mm	19" / 480 mm	24" / 610 mm
15" / 390 mm	20" / 505 mm	26" / 660 mm
16" / 410 mm	21" / 540 mm	28" / 710 mm
17" / 430 mm	22" / 560 mm	
18" / 460 mm	23" / 580 mm	

### ADAPTERS

PART NO. ADAPTER	FITTED WIPER ARM(mm)
OE2 	 Side Lock
N8 	 Pinch Tab  Pinch Tab Button
N9 	 19mm Push Button
N11 	 9 x 4 mm Bayonet
N13 	 16 mm Push Button
Beauty Cover + U10 	 9 x 3 9 x 4  3/16" & 1/4" side pin
N6 	 Top lock